



Main

Range of product	Harmony XB5R
Product or component type	Wireless and batteryless package
Device short name	XB5R
Head material	Plastic
Kit composition	1 plastic push-button, 1 receiver and 1 set of caps
Frequency	2405 MHz for transmitter 2405 MHz for receiver
Emission class	5M00G7W
Antenna type	Omnidirectional
Device composition	ZBA79 ZB5RZA0 ZBRRA ZB5AZ009 ZBRT1

Complementary

Control type	Wireless and batteryless push-button Ø 22 mm assembled on fixing collar
Type of receiver	Programmable receiver (2 relays)
[Us] rated supply voltage	24...240 V AC/DC 50/60 Hz
Status LED	1 LED green for power ON 2 LEDs green for relay ON 2 LEDs green for function mode 1 LED green and yellow for reception signal
Communication port protocol	Zigbee conforming to IEEE 802.15.4
Max power consumption in W	1 mW
Number of channels	1
Modulation technique	O-QPSK
Bandwidth	5 MHz
Antenna gain	0 dBi

Environment

Product certifications	UL CCC C-Tick CSA GOST
Marking	CE
Standards	EN/IEC 60947-1 CSA C22.2 No 14 EN/IEC 60947-5-1 UL 508
Radio agreement	ARIB T66 ANATEL RSS FCC ICASA SRRC

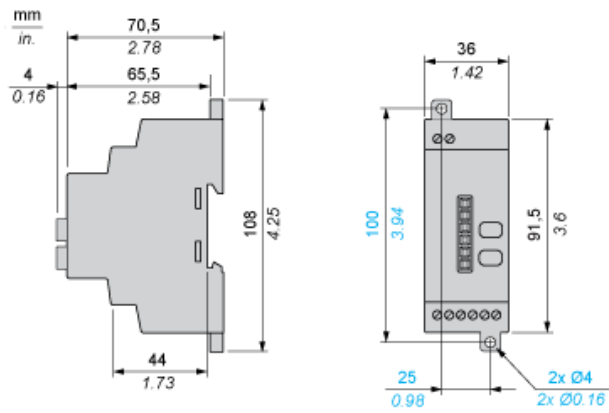
Offer Sustainability

Sustainable offer status	Green Premium product
RoHS (date code: YYWW)	Compliant - since 1021 - Schneider Electric declaration of conformity Schneider Electric declaration of conformity
REACH	Reference not containing SVHC above the threshold Reference not containing SVHC above the threshold
Product environmental profile	Available Product environmental
Product end of life instructions	Available End of life manual

Contractual warranty

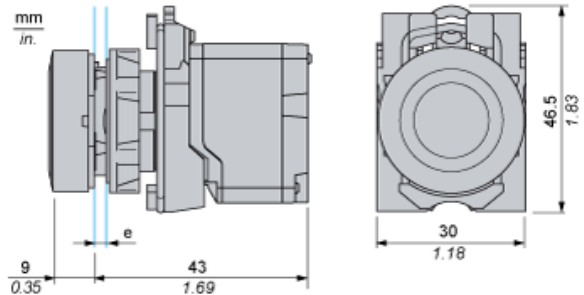
Warranty period	18 months
-----------------	-----------

Programmable Receiver



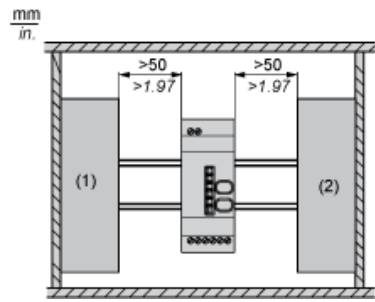
Wireless and Batteryless Pushbutton - Transmitter

With Plastic Pushbutton without Cap



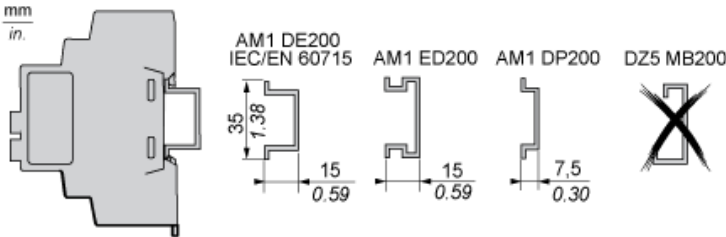
e: panel thickness 1 to 6 mm / 0.039 to 0.24 in.

Receiver Clearance

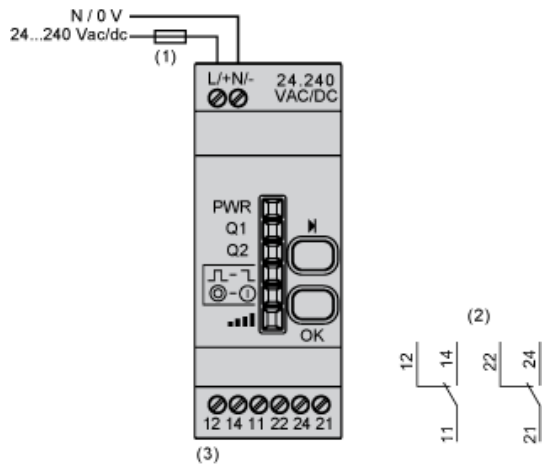


- (1) Drive
- (2) Power Supply or PLC

Receiver Mounting



Programmable Receiver



- (1) 500 mA
- (2) Output contacts
- (3) $I_{max} = 3 A$